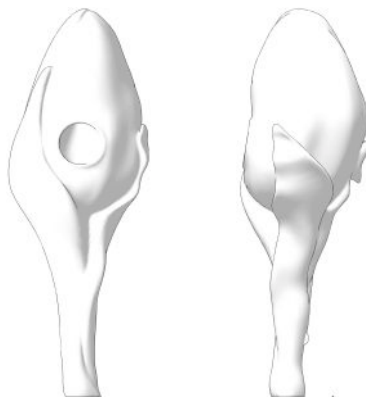
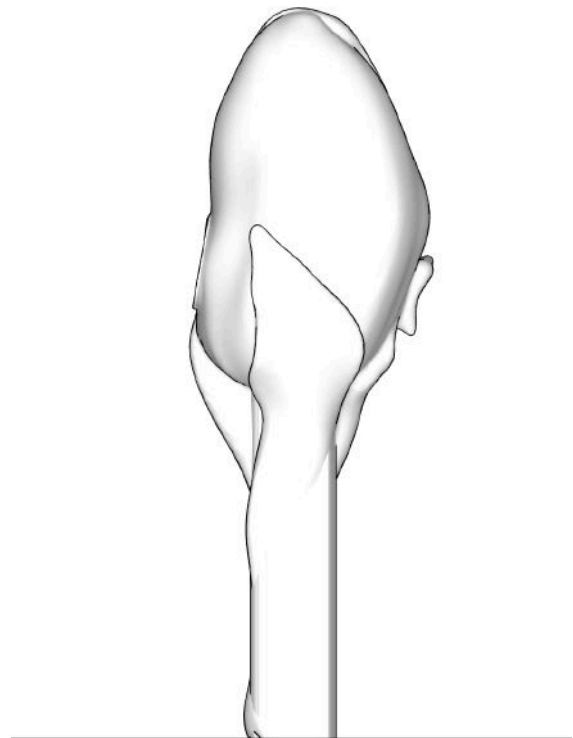
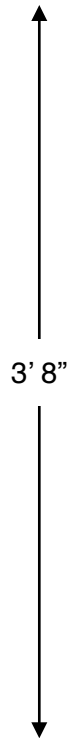
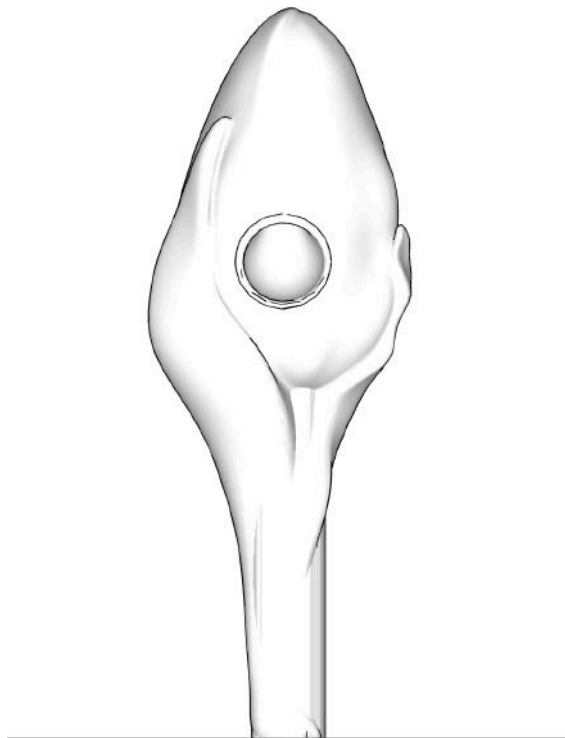
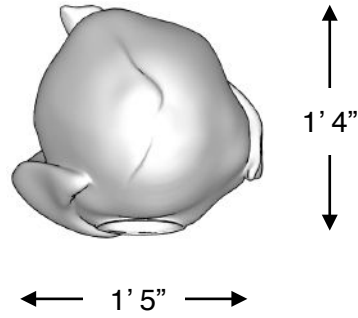


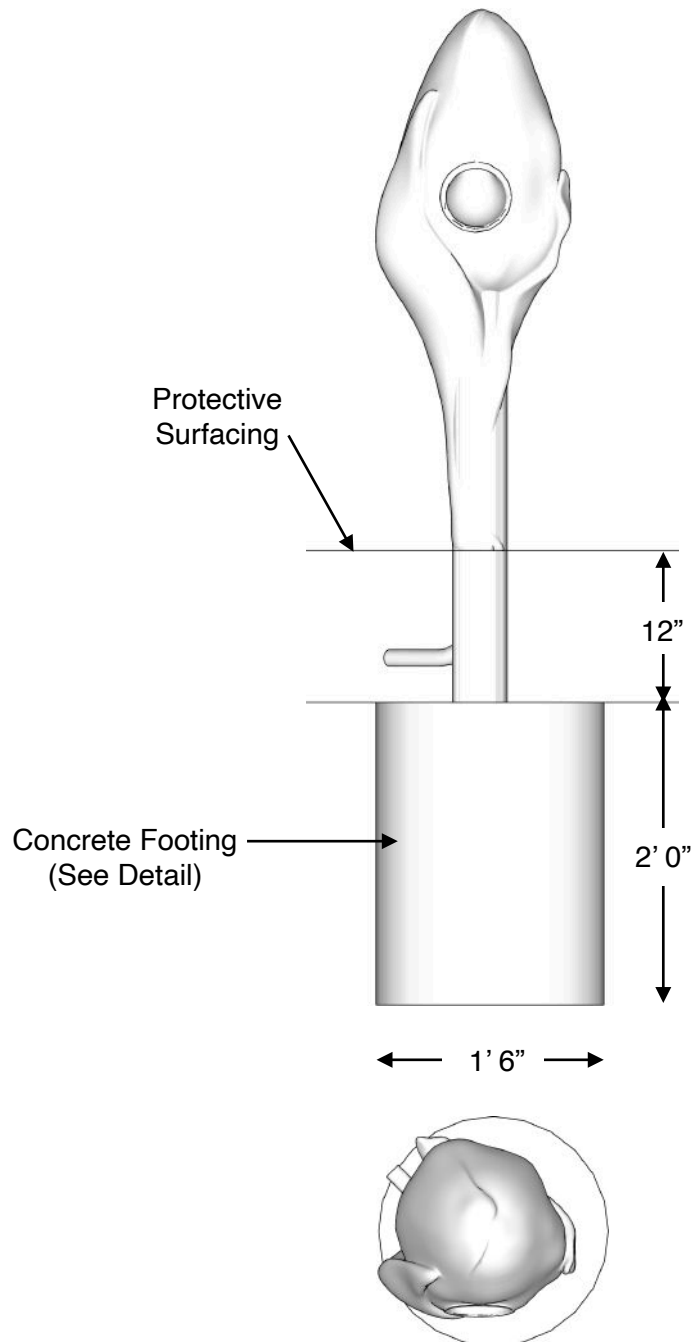


Kids can chat with their friends using this fun and imaginative playground favorite! Great for all ages. Simply speak into the flower and the talk tube will carry the message from one flower to another. Great social and interactive play with a design inspired straight from nature.

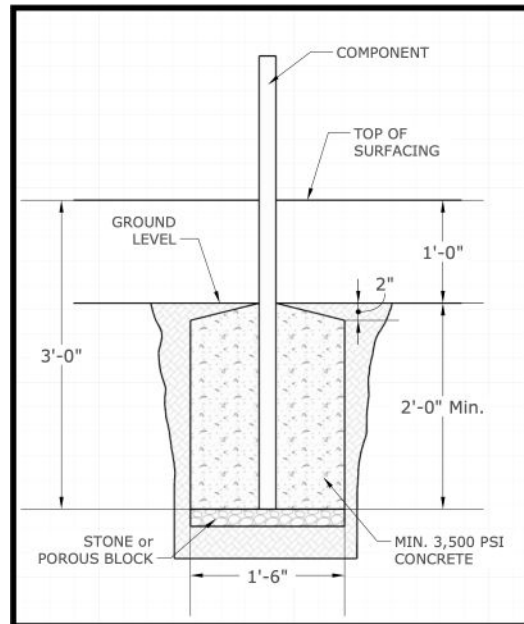


L: 1' 4"
W: 1' 5"
H: 3' 8"





If you determine that less than 12" of surfacing is required, make sure the top of the concrete slab is 12" below the top of the protective surfacing.



Typical Component Footing Detail
Check local soil conditions.
(Not to Scale)

Included Items:

Part #	Item	Description	Quantity
1000320	Tulip Talk Tube	Play Equipment	2
1000320	1/2" x 1'-0" Rebar	Hardware	4
1000320	1.63" x 50' PE Tubing (BAB0217)	Hardware	1
1000320	Hose Clamps (BAE9025)	Hardware	4
1000320	Anchor Stakes (AFM4182)	Hardware	5

NOTES PRIOR TO CONSTRUCTION:

- Use appropriate equipment to lift and move the play equipment.
- Check local codes and requirements prior to digging or installing any equipment.

! WARNING

INSTALLATION OVER A HARD SURFACE SUCH AS CONCRETE, ASPHALT, OR PACKED EARTH MAY RESULT IN SERIOUS INJURY OR DEATH FROM FALLS.

THE REMOVAL OF HELMETS, HOODS, DRAWSTRINGS, AND ACCESSORIES AROUND THE NECK IS RECOMMENDED TO PREVENT ENTANGLEMENT AND STRANGULATION.

PLAY EQUIPMENT AND/OR SURFACING MAY BE HOT.

NOTE: Always wear eye protection appropriate to the task at hand.

NOTE: Read installation instructions thoroughly before starting installation process.

Step 1: Lay out the area and prepare the site for install. Concrete must be installed over a solid, level base. Check local soil condition and codes. See product installation instructions for minimum use zone requirements to ensure proper spacing and adequate surfacing area.

Step 2: Refer to the typical in-ground footing detail on excavating a hole for the Tulip Talk Tubes.

Step 3: Insert the rebar into talk tube post and place the Tulip Talk Tubes into the excavated footing, temporarily bracing when level and plumb. Pour the concrete footings. Allow time for the concrete to cure completely before continuing.

Step 4: Remove temporary bracing.

Step 5: Excavate a 2" deep trench between the two talk tube pipe ends for the PE tubing (BAB0217). Allow the tubing to snake. Do not kink the tubing.

Step 6: There are two hose clamps for each end of the tubing. Slide hose clamps (BAE9025) over each end of the PE tubing then slide the PE tubing (BAB0217) over the two talk tube pipe ends. Tighten the hose clamps.

Step 7: Secure the PE tubing in the trench using the anchor stakes (AFM4182) in 5 equally spaced places.

