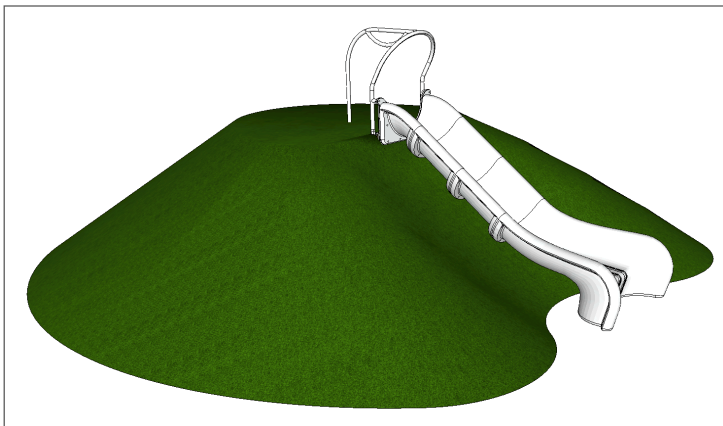


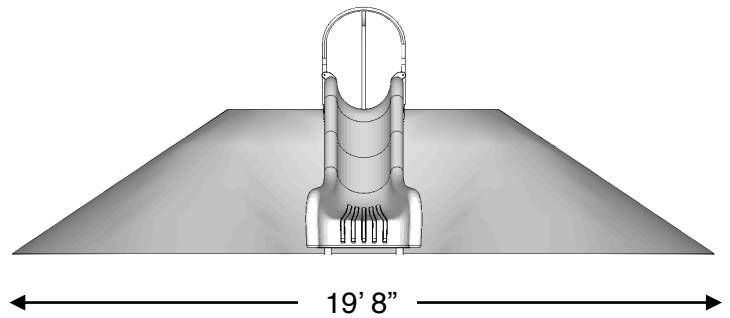
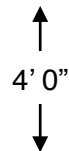
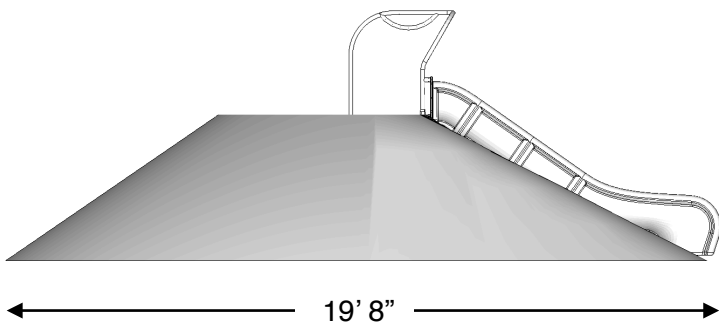
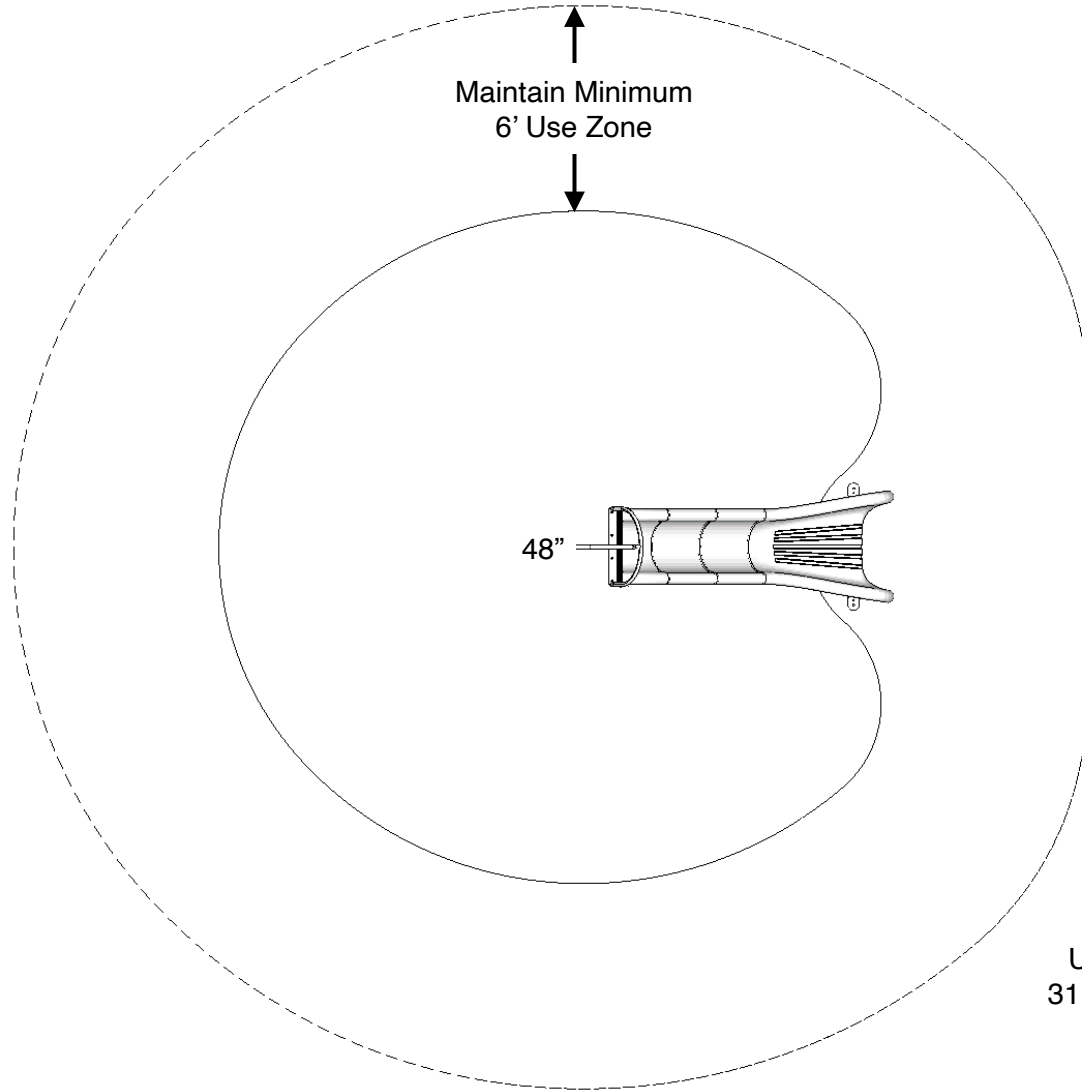


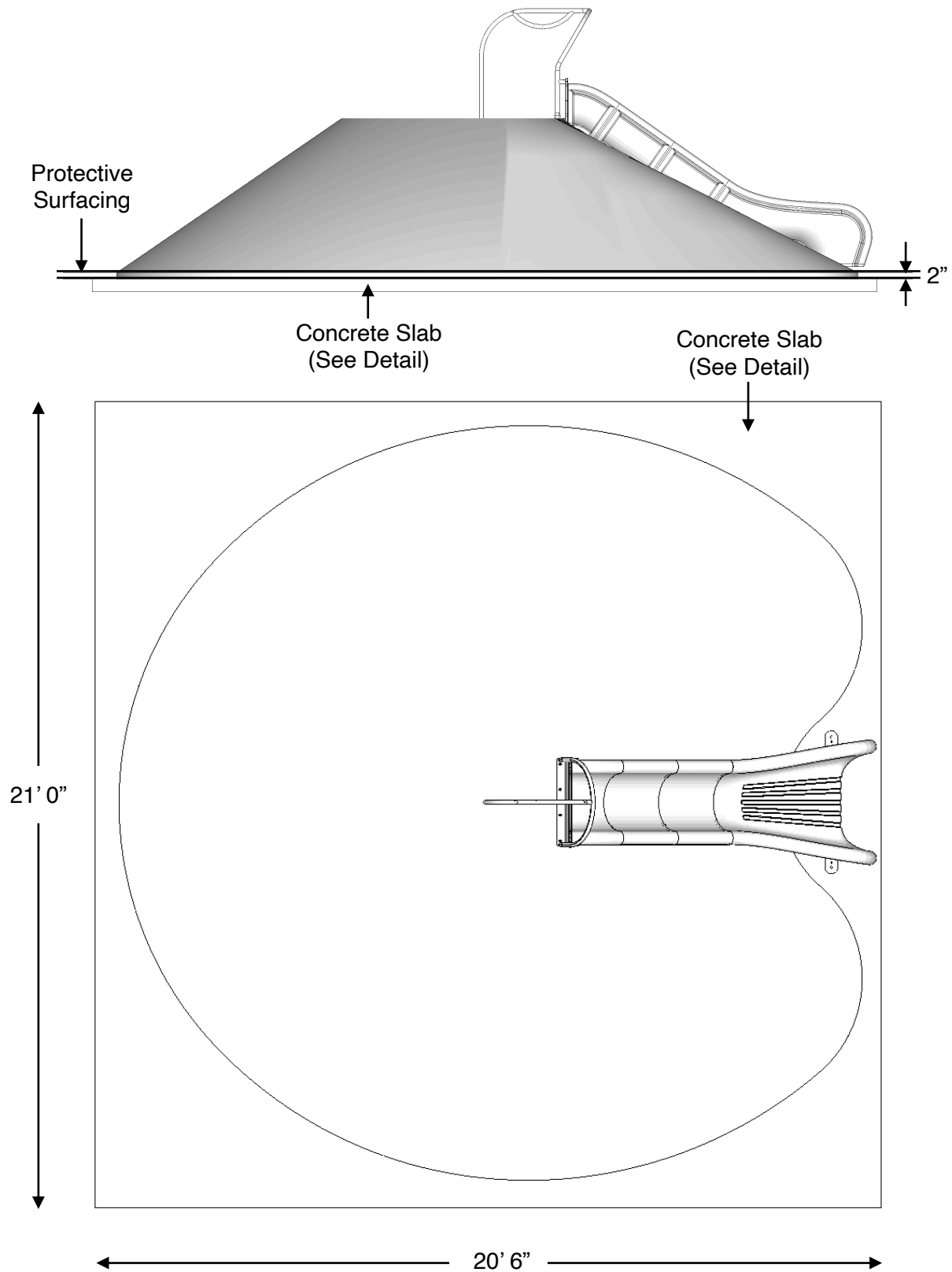
Cre8Play's unique Camelot Play Mound allows for 360 degrees of climbing play and includes a Sectional Slide in a variety of colors. Specially designed to accommodate either Poured in Place rubber surfacing, (PIP), or Synthetic Turf. Manufactured with a coating of Glass Fiber Reinforced Concrete, (GFRC), for durability and a sturdy base for surfacing. Kids will enjoy running up the mound, climbing, and sliding.

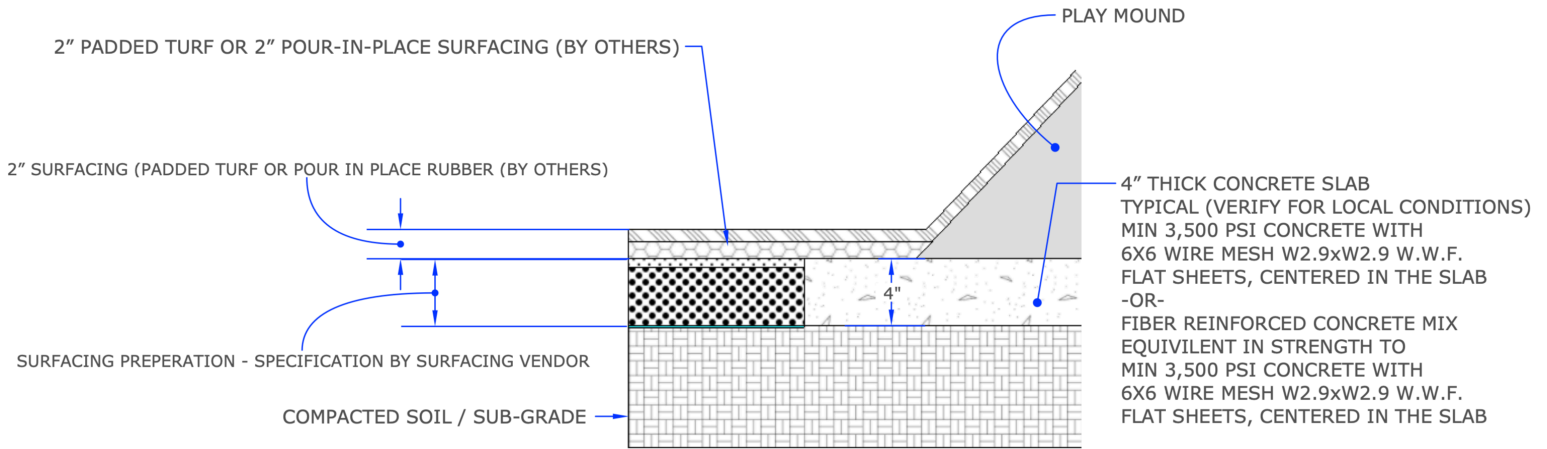


L: 19' 8"
W: 19' 8"
H: 4' 0"
910 LBS

DOES NOT INCLUDE SURFACING
MOUND ONLY
(Appx. 360 square feet of surfacing required)







4" CONCRETE SLAB SECTION

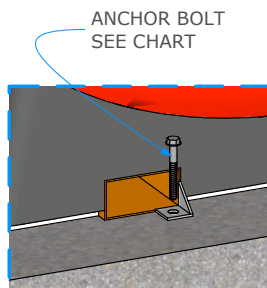
Check Local Soil Conditions and Local Building Codes

NOTES PRIOR TO CONSTRUCTION:

- Use appropriate equipment to lift and move the play equipment.
- Check local codes and requirements prior to digging or installing any equipment.



EXAMPLE OF COMPONENT



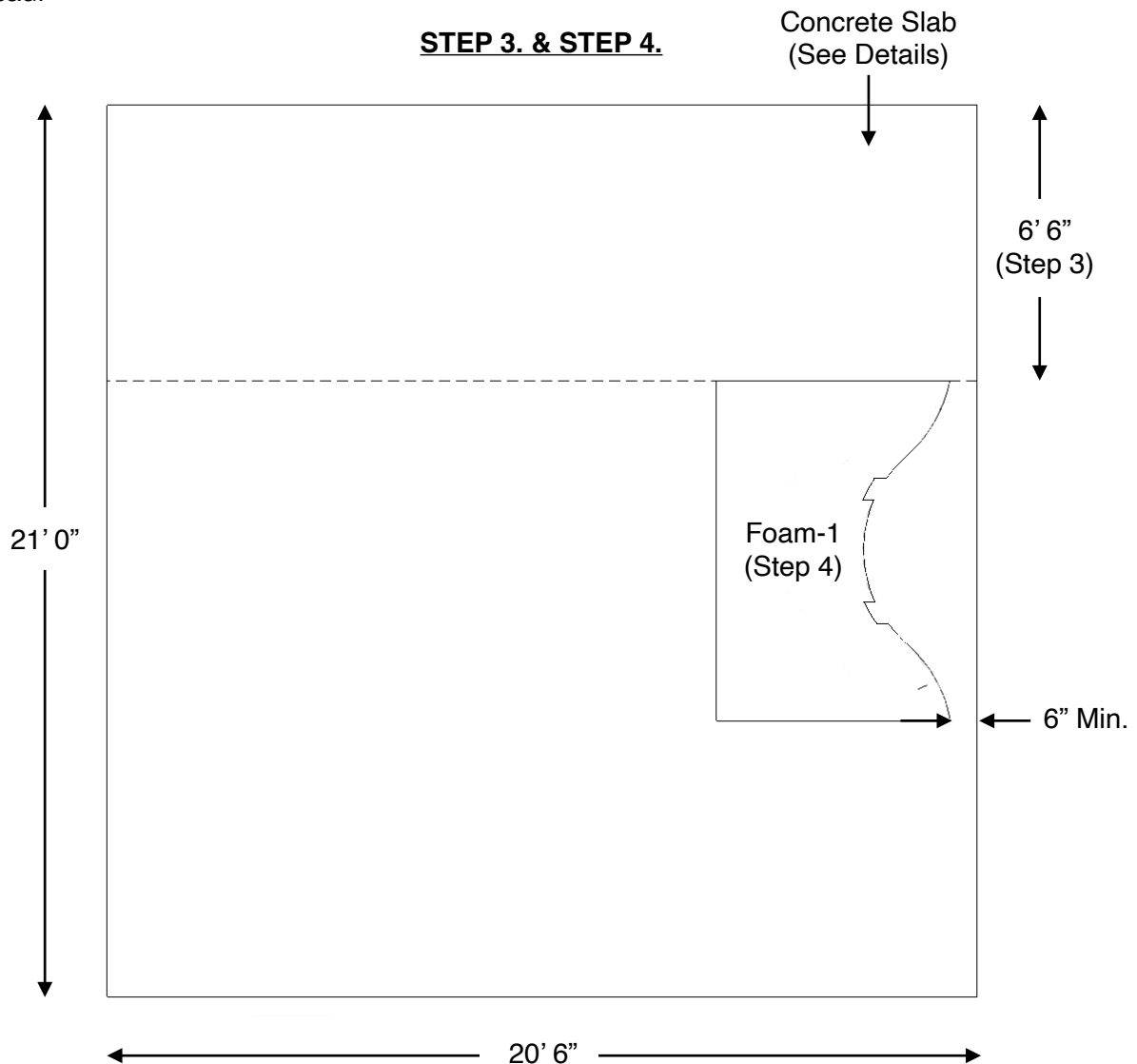
NOTE: Read installation instructions thoroughly before starting installation process.

Step 1: Lay out the area and prepare the site for install. Concrete must be installed over a solid, level base. Check local soil condition and codes. See product installation instructions for minimum use zone requirements to ensure proper spacing and adequate surfacing area.

Step 2: Pour a concrete base for the component. Refer to the typical concrete sections in this document. The concrete should be flush with the ground level. Allow time for the concrete to completely cure before continuing.

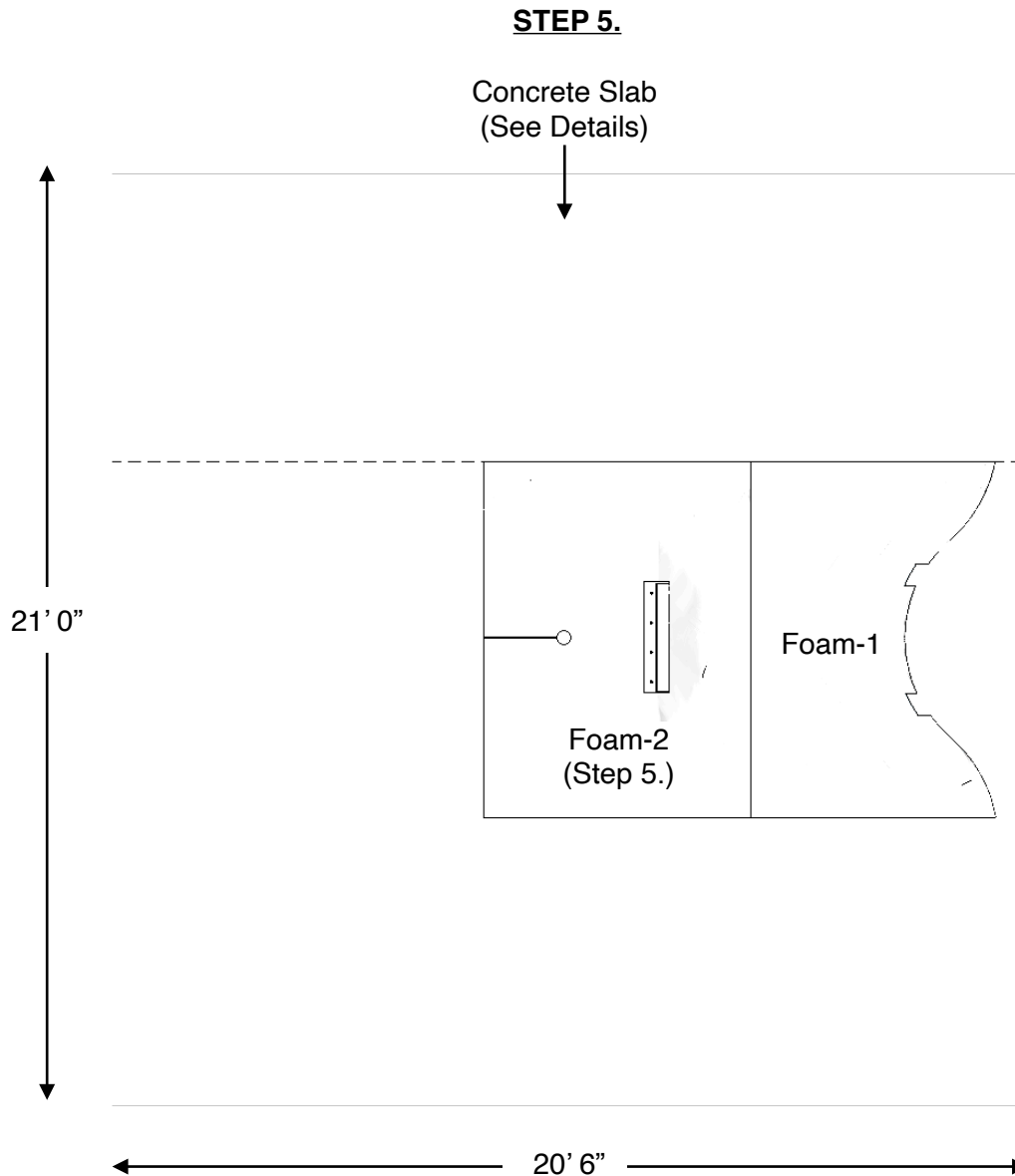
Step 3: Measure and mark a line before placing the first component. (See image below, Step 3.).

Step 4: Using an appropriate forklift or boom, position Foam-1 to align with the horizontal line leaving a 6" minimum gap between the edge of the concrete slab and Foam-1 (See image below, Step 4.). Using the supplied adhesive (hardware kit HK171), glue the foam to the concrete. With the dispensing gun fully open, dispense foam with a continuous bead.



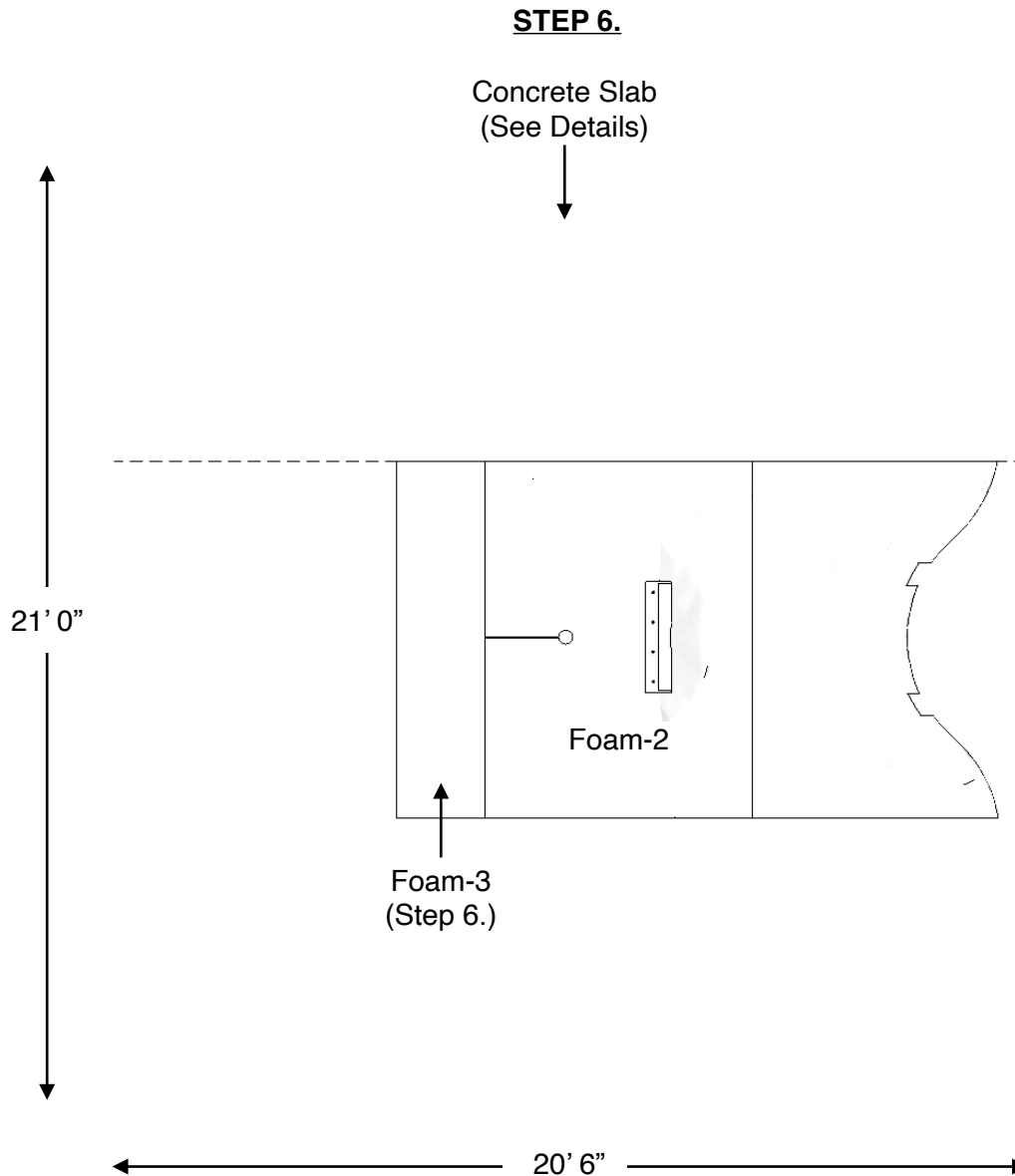
NOTE: Read installation instructions thoroughly before starting installation process.

Step 5: Locate Foam-2. Align Foam-2 with Foam-1 ensuring the seams are flush with each other (See image below, Step 5.). Using the supplied adhesive (hardware kit HK171), glue Foam-2 to Foam-1, and to the concrete. With the dispensing gun fully open, dispense foam with a continuous bead. For foam to foam, apply the beads in rows, 4 inches apart.



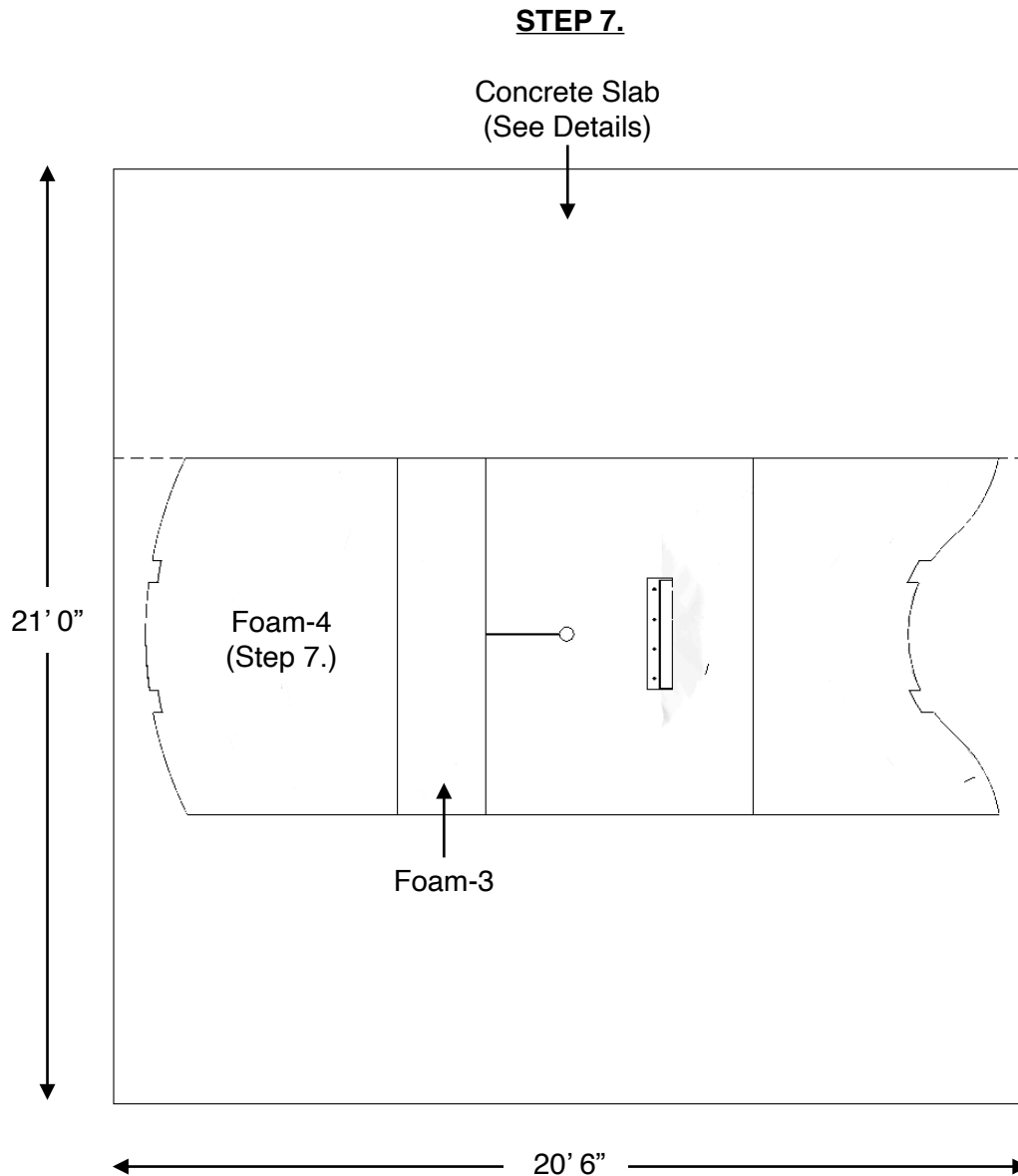
NOTE: Read installation instructions thoroughly before starting installation process.

Step 6: Locate Foam-3. Align Foam-3 with Foam-2 ensuring the seams are flush with each other (See image below, Step 6.). Using the supplied adhesive (hardware kit HK171), glue Foam-3 to Foam-2, and to the concrete. With the dispensing gun fully open, dispense foam with a continuous bead. For foam to foam, apply the beads in rows, 4 inches apart.



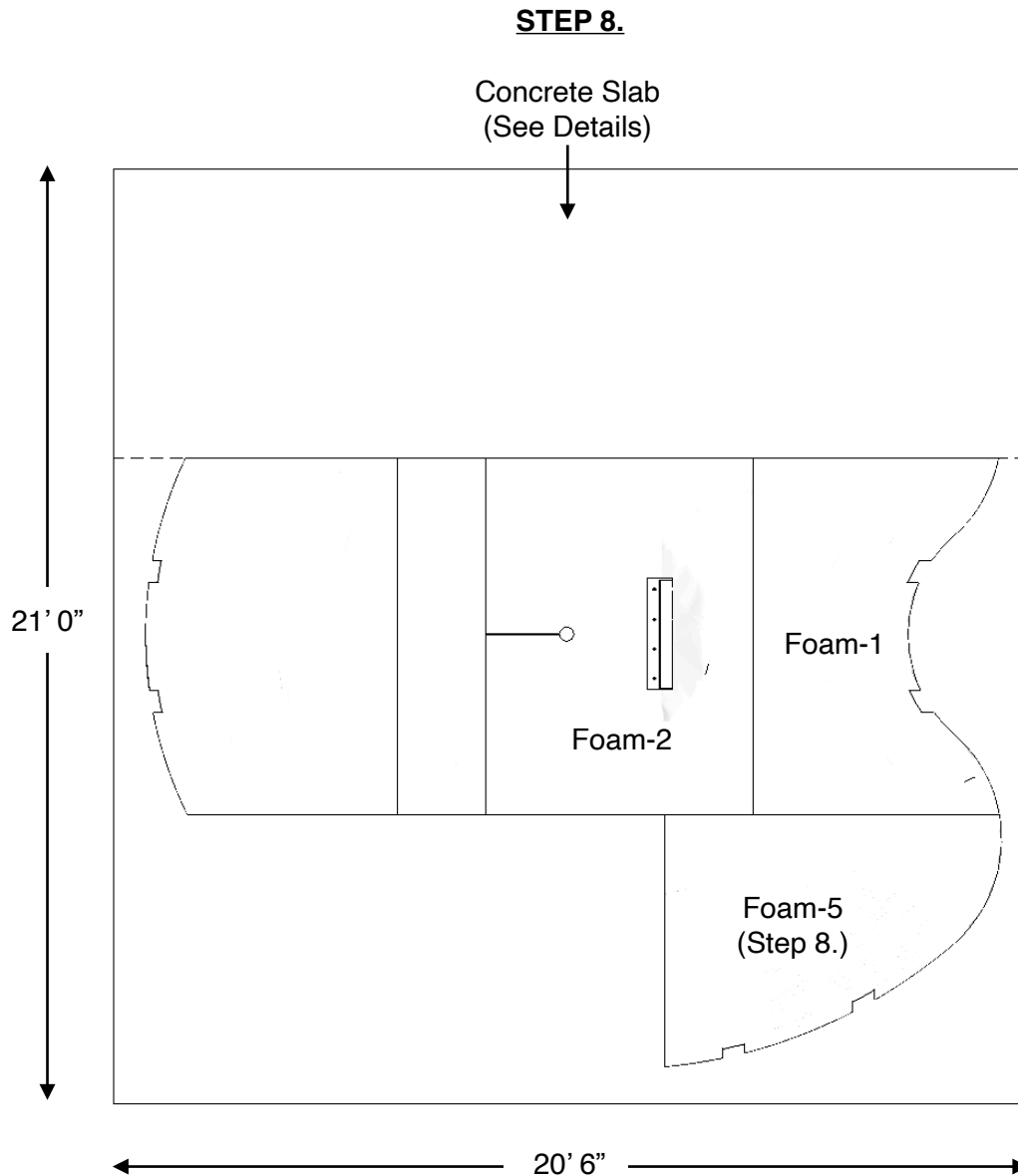
NOTE: Read installation instructions thoroughly before starting installation process.

Step 7: Locate Foam-4. Align Foam-4 with Foam-3 ensuring the seams are flush with each other (See image below, Step 7.). Using the supplied adhesive (hardware kit HK171), glue Foam-4 to Foam-3, and to the concrete. With the dispensing gun fully open, dispense foam with a continuous bead. For foam to foam, apply the beads in rows, 4 inches apart.



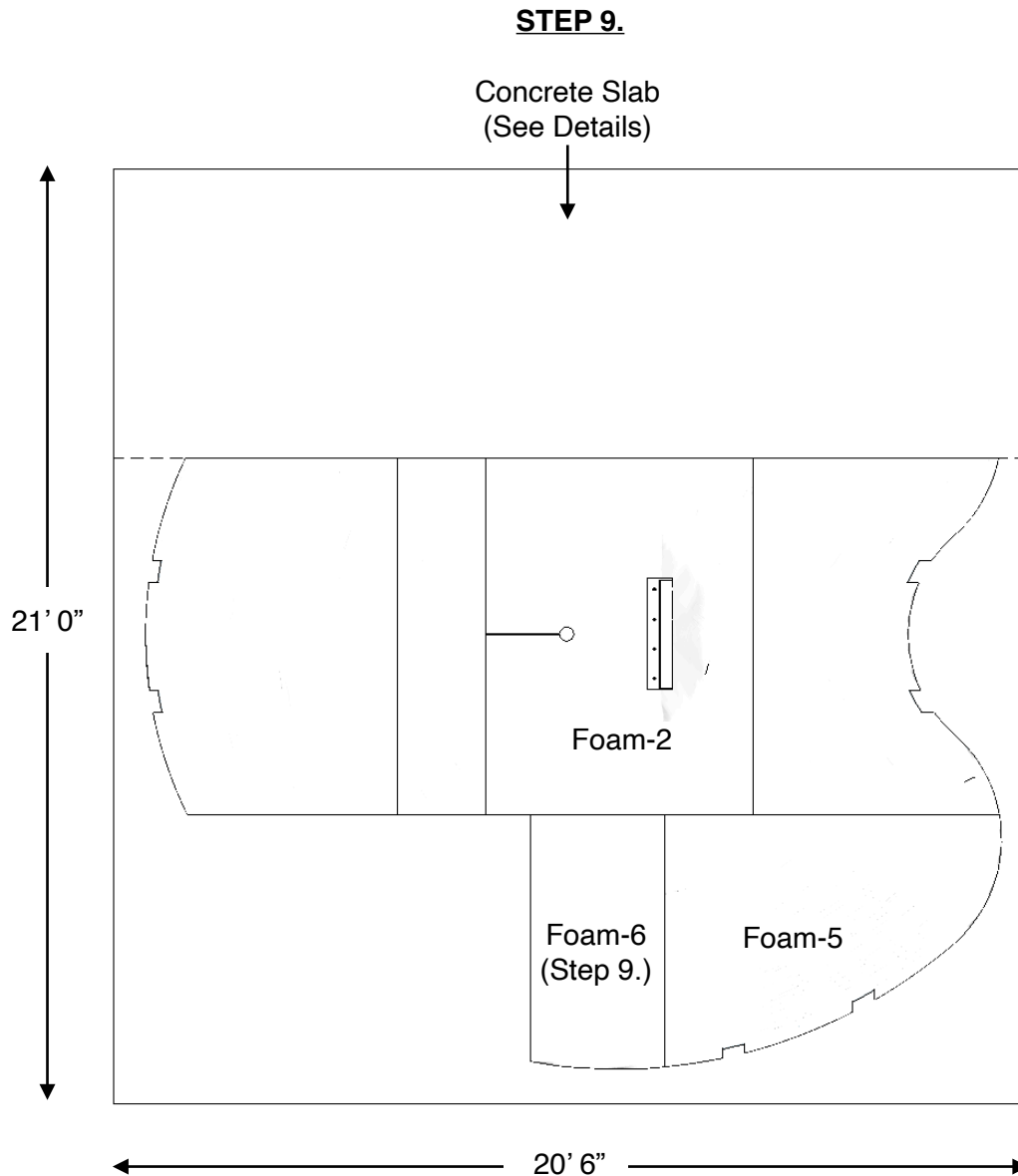
NOTE: Read installation instructions thoroughly before starting installation process.

Step 8: Locate Foam-5. Align Foam-5 with Foam-1 and Foam-2 ensuring the seams are flush with each other (See image below, Step 8.). Using the supplied adhesive (hardware kit HK171), glue Foam-5 to Foam-1, Foam-2, and to the concrete. With the dispensing gun fully open, dispense foam with a continuous bead. For foam to foam, apply the beads in rows, 4 inches apart.



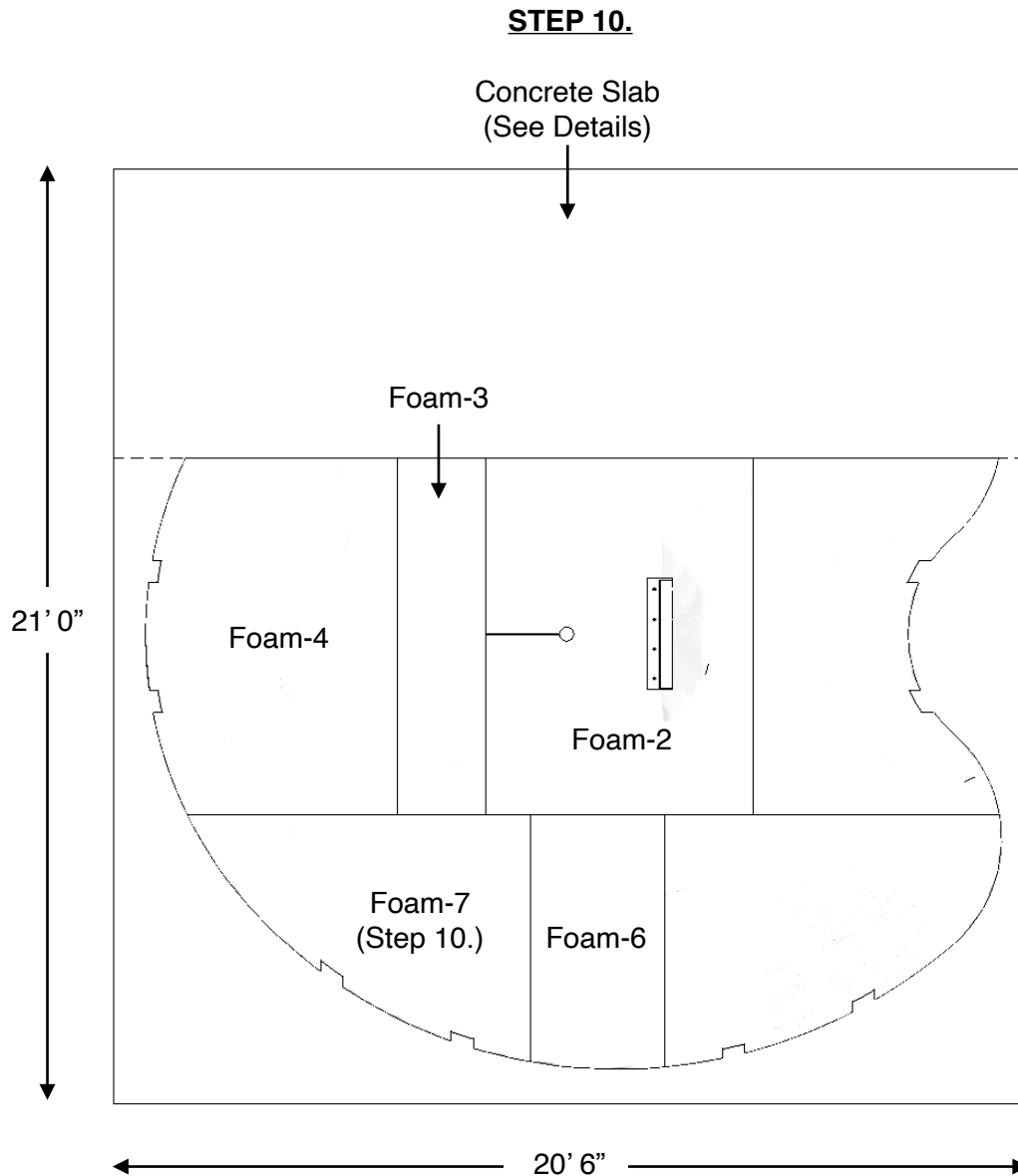
NOTE: Read installation instructions thoroughly before starting installation process.

Step 9: Locate Foam-6. Align Foam-6 with Foam-2 and Foam-5 ensuring the seams are flush with each other (See image below, Step 9.). Using the supplied adhesive (hardware kit HK171), glue Foam-6 to Foam-5, Foam-2, and to the concrete. With the dispensing gun fully open, dispense foam with a continuous bead. For foam to foam, apply the beads in rows, 4 inches apart.



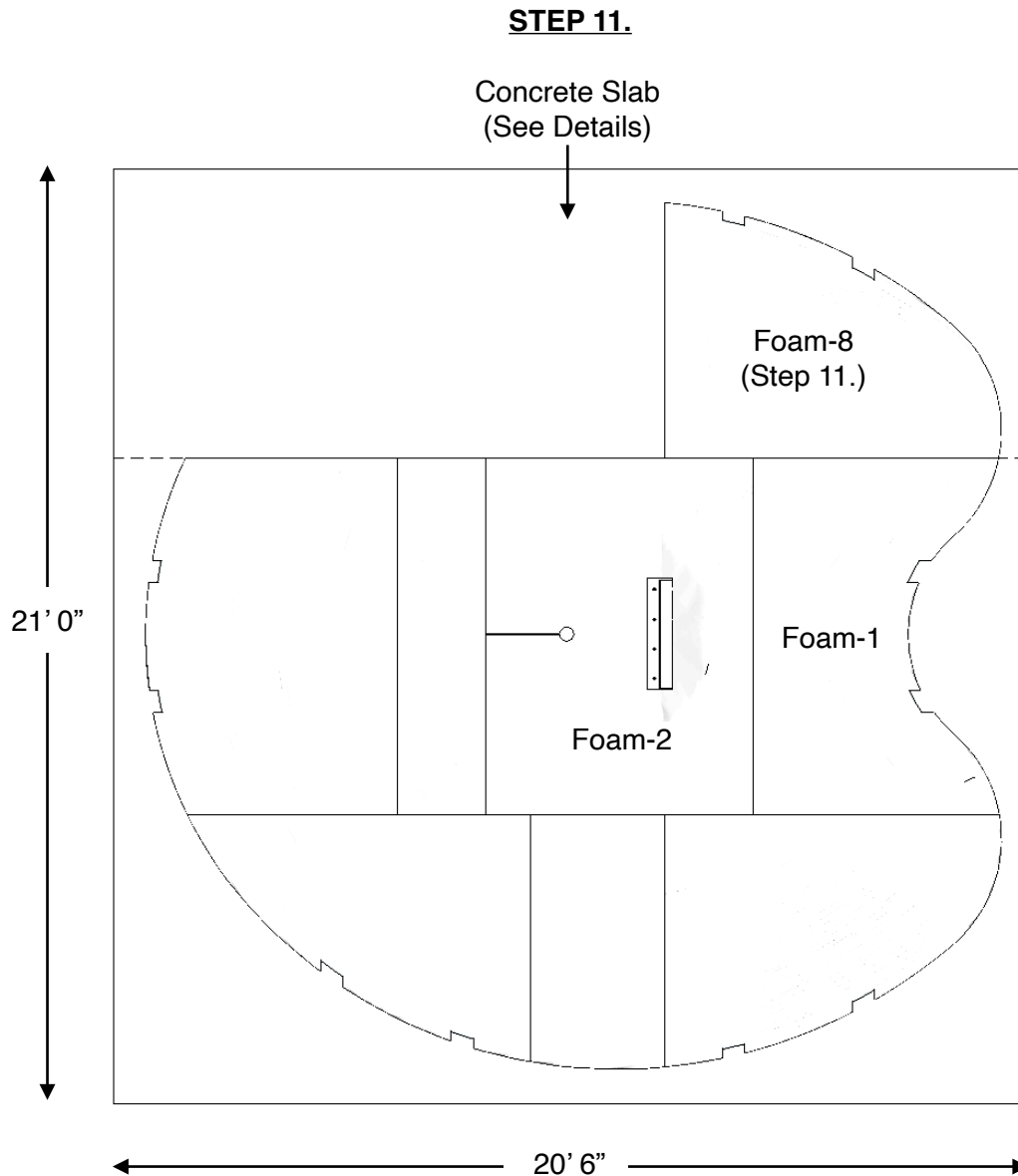
NOTE: Read installation instructions thoroughly before starting installation process.

Step 10: Locate Foam-7. Align Foam-7 with Foam-2, Foam-3, Foam-4, and Foam-6 ensuring the seams are flush with each other (See image below, Step 10.). Using the supplied adhesive (hardware kit HK171), glue Foam-7 to Foam-2, Foam-3, Foam-4, and Foam-6, and to the concrete. With the dispensing gun fully open, dispense foam with a continuous bead. For foam to foam, apply the beads in rows, 4 inches apart.



NOTE: Read installation instructions thoroughly before starting installation process.

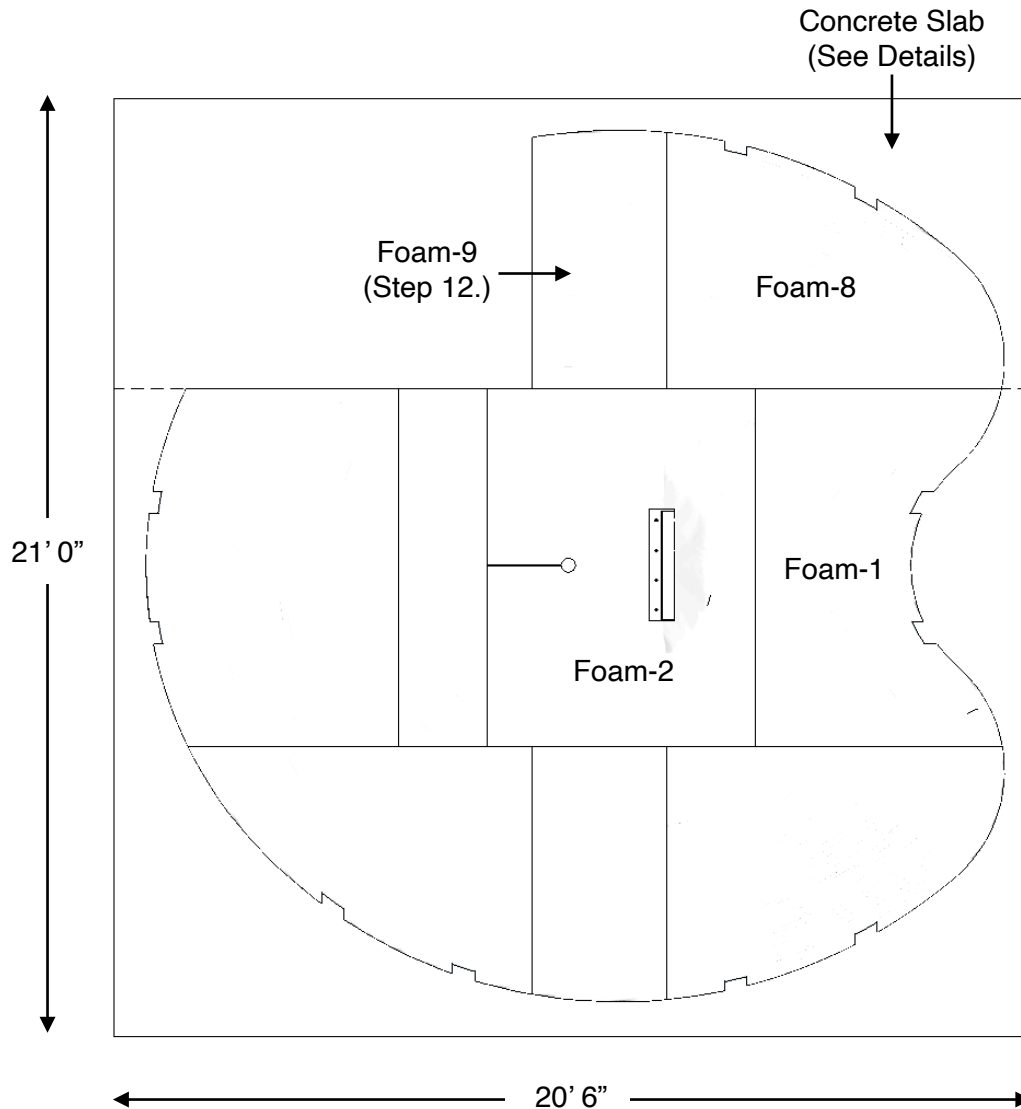
Step 11: Locate Foam-8. Align Foam-8 with Foam-1 and Foam-2 ensuring the seams are flush with each other (See image below, Step 11.). Using the supplied adhesive (hardware kit HK171), glue Foam-8 to Foam-1, Foam-2, and to the concrete. With the dispensing gun fully open, dispense foam with a continuous bead. For foam to foam, apply the beads in rows, 4 inches apart.



NOTE: Read installation instructions thoroughly before starting installation process.

Step 12: Locate Foam-9. Align Foam-9 with Foam-2 and Foam-8 ensuring the seams are flush with each other (See image below, Step 12.). Using the supplied adhesive (hardware kit HK171), glue Foam-9 to Foam-2, Foam-8, and to the concrete. With the dispensing gun fully open, dispense foam with a continuous bead. For foam to foam, apply the beads in rows, 4 inches apart.

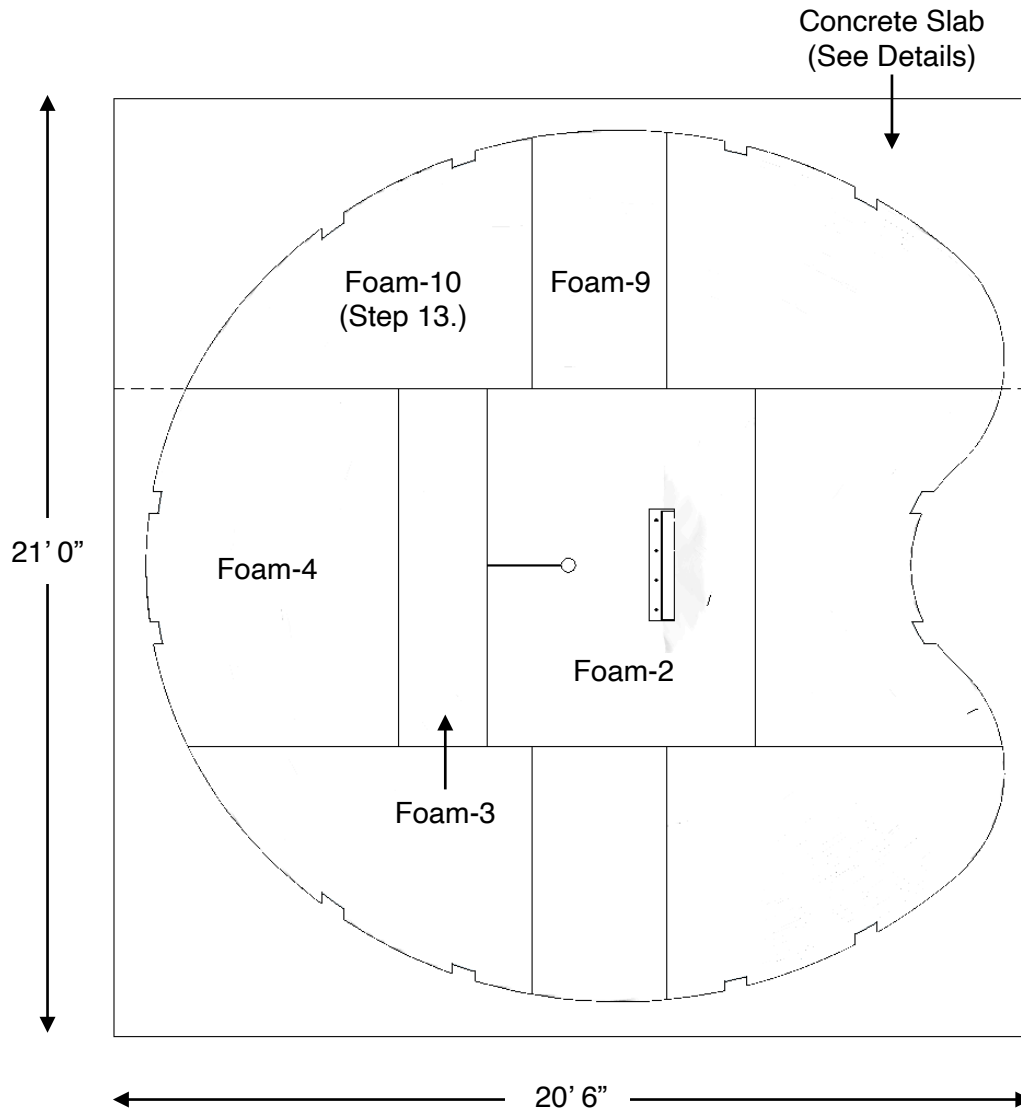
STEP 12.



NOTE: Read installation instructions thoroughly before starting installation process.

Step 13: Locate Foam-10. Align Foam-10 with Foam-9, Foam-2, Foam-3, and Foam-4 ensuring the seams are flush with each other (See image below, Step 13.). Using the supplied adhesive (hardware kit HK171), glue Foam-10 to Foam-9, Foam-2, Foam-3, Foam-4, and to the concrete. With the dispensing gun fully open, dispense foam with a continuous bead. For foam to foam, apply the beads in rows, 4 inches apart.

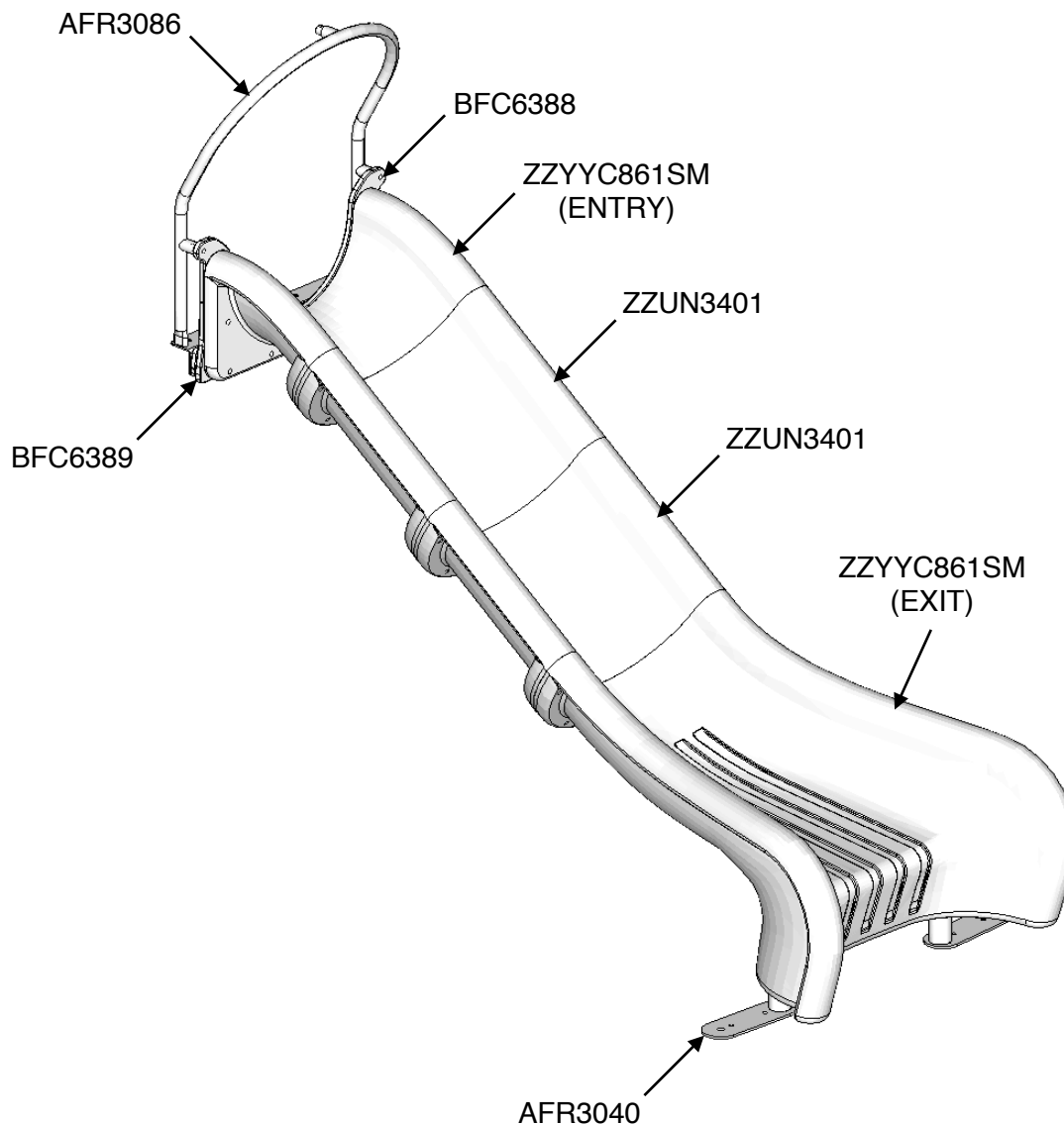
STEP 13.



NOTE: Read installation instructions thoroughly before starting installation process.

Step 14: Preassemble the Sectional Slide using Playworld's instructions and hardware.

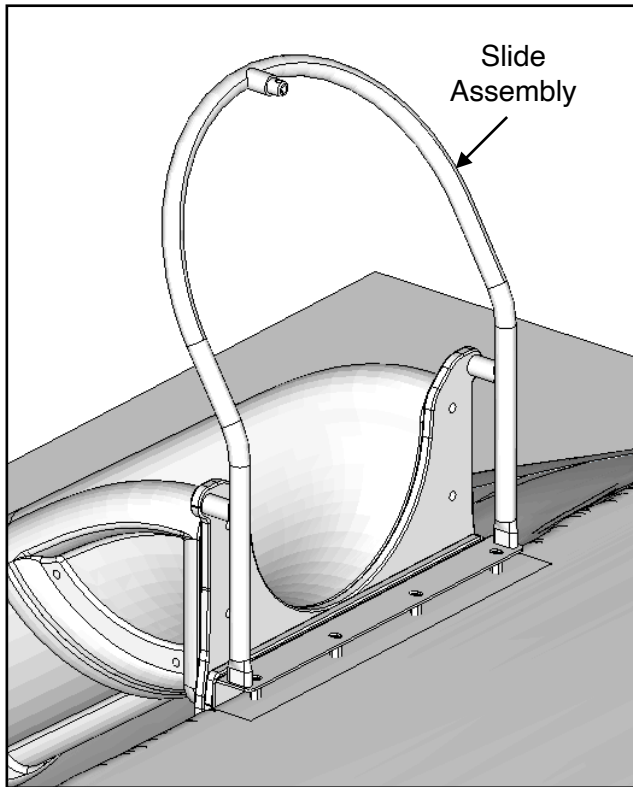
STEP 14.



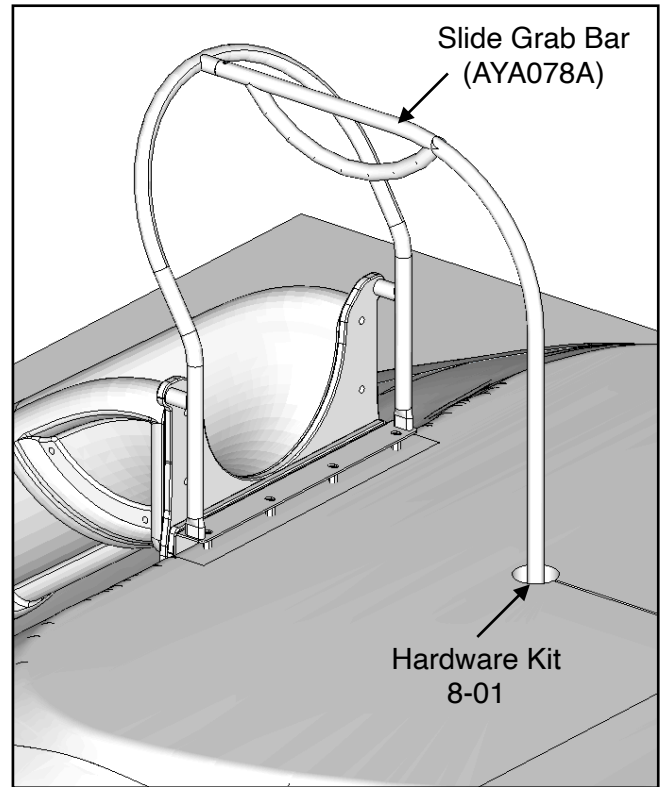
NOTE: Read installation instructions thoroughly before starting installation process.

Step 15: Attach the Slide Assembly to the mound using Playworld's instructions and hardware (4 places). (See image below, Step 15.).

Step 16: Install the Slide Grab Bar to slide assembly frame using Playworld's instructions and hardware (2 places). Tape off the Slide Grab Bar frame, fill the frame hole in the mound with the 2 part foam found in hardware kit 8-01 and let cure. Trim the excess foam flush. (See image below, Step 16.).



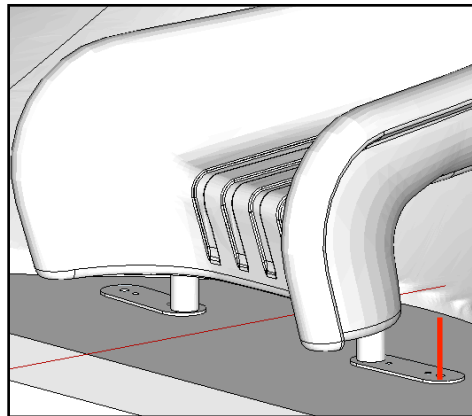
STEP 15.



STEP 16.

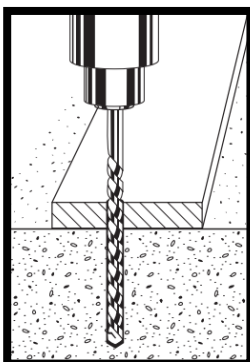
NOTE: Read installation instructions thoroughly before starting installation process.

Step 17: See the hardware recommendation for information on anchoring equipment down to your concrete slab. Insert the anchor bolt into the hole and tighten until the bolt is fully seated. Do NOT over tighten the anchor bolts.

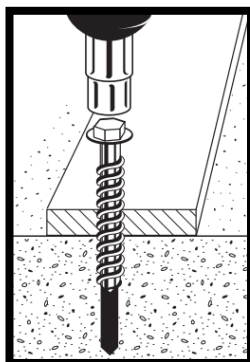


STEP 17.
Hardware Kit HK128
(2 places)

Step 1: Drill



Step 2: Anchor



Anchor Bolt Installation:

Anchor Bolt Size	ANSI Standard Drill Bit Diameter	Anchor Head (Socket Size)	Minimum Embedment	Hole Depth
1/2" x 3"	7/16"	3/4"	2 1/2"	3 1/2"
5/8" x 4"	1/2"	13/16"	3 1/2"	4 1/2"
5/8" x 6"	1/2"	13/16"	5 1/2"	6 1/2"

NOTES PRIOR TO CONSTRUCTION:

- Use appropriate equipment to lift and move the play equipment.
- Check local codes and requirements prior to digging or installing any equipment.

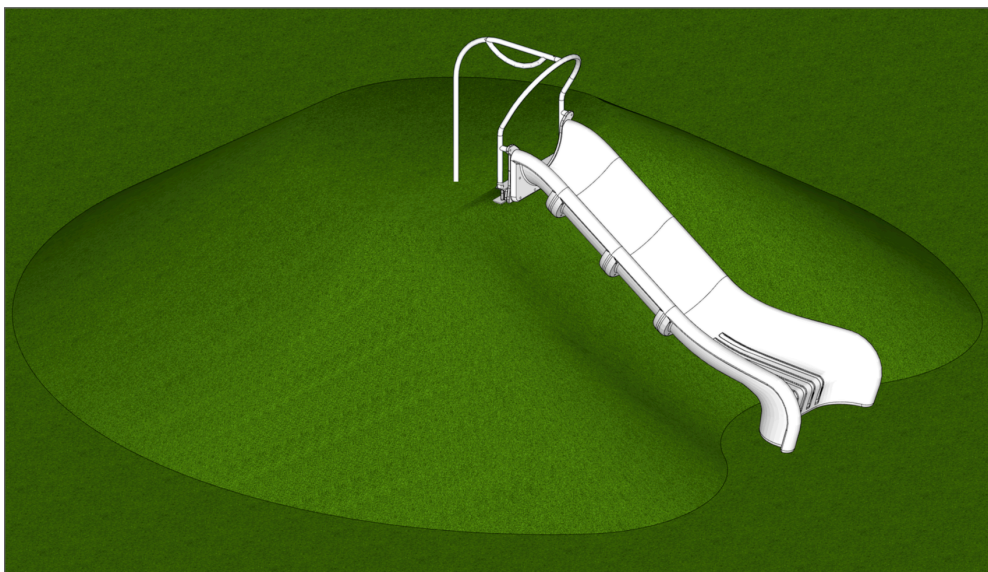
NOTE: Always wear eye protection appropriate to the task at hand.

NOTE: Read installation instructions thoroughly before starting installation process.

Step 18: Fill all open fork pockets with the foam fillers provided, (glue, cut, & shape) using hardware kit HK171.

Step 19: Install the turf or PIP surfacing to the Camelot Play Mound. Install the approved impact attenuating play surface around the component. Refer to the surfacing manufacturer for installation of an approved impact attenuating play surface around the component.

Step 20: Locate an appropriate spot to attach the 2-12 Age Appropriate Sticker found in hardware kit 8-02.



STEP 19.



STEP 20.

Included Items:

Part #	Item	Description	Quantity
90008S	Play Mound Foam Unit	Play Equipment	10
90008S	Slide Grab Bar	Play Equipment	1
90008S	Slide Grab Bar	Play Equipment	1
90008S	Slide Sit Down Bar	Play Equipment	1
90008S	HDPE Slide Spacer	Play Equipment	1
90008S	HDPE Slide Connector	Play Equipment	1
90008S	Slide Entrance/Exit	Play Equipment	1
90008S	Slide Straight Section	Play Equipment	2
90008S	Slide Exit Frame	Play Equipment	1
90008S	Play Mound Foam Fillers	3" x 6" x 4'-0" EPS Foam	3
HK171	5631573	Urethane Adhesive	2
HK171	FG250002	Adhesive Dispensing Gun	1
HK128	HDW-16	Anchor Bolt 1/2" x 3"	2
HK 8-01	NA	Part-A Urethane Foam (Pint)	1
HK 8-01	NA	Part-B Urethane Foam (Pint)	1
HK 8-01	NA	1-1/2" Blue Masking Tape (Roll)	1
HK 8-02	NA	2-12 Age Appropriate Sticker	1