

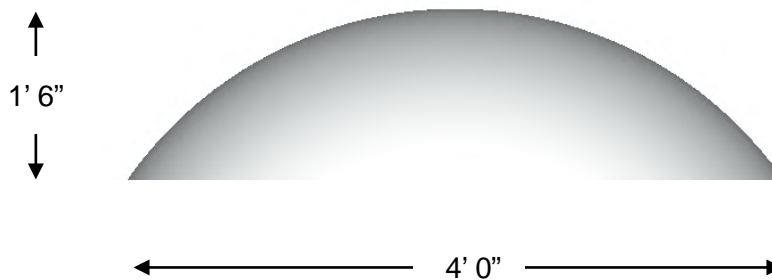
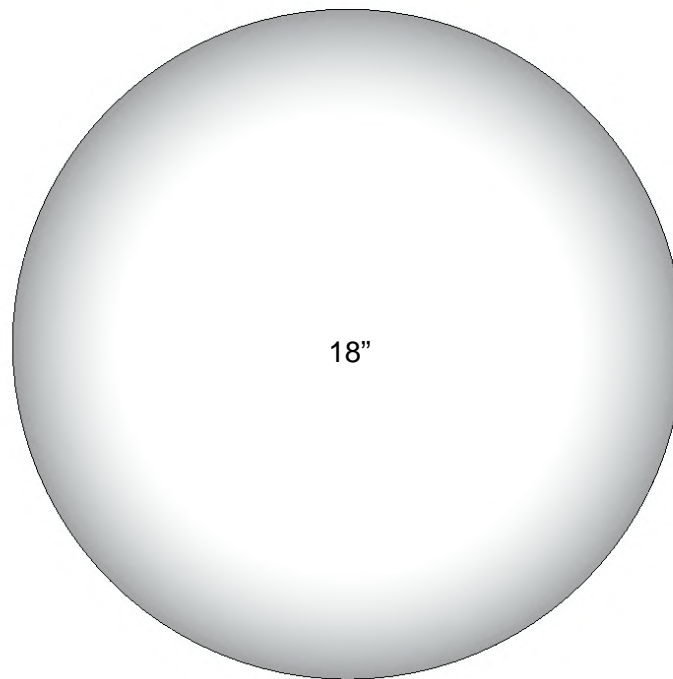


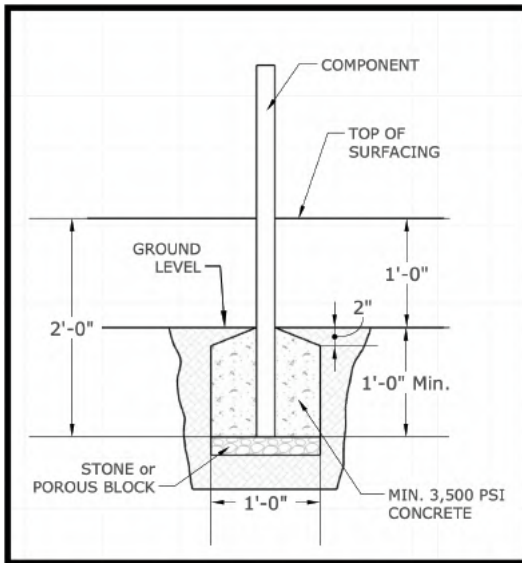
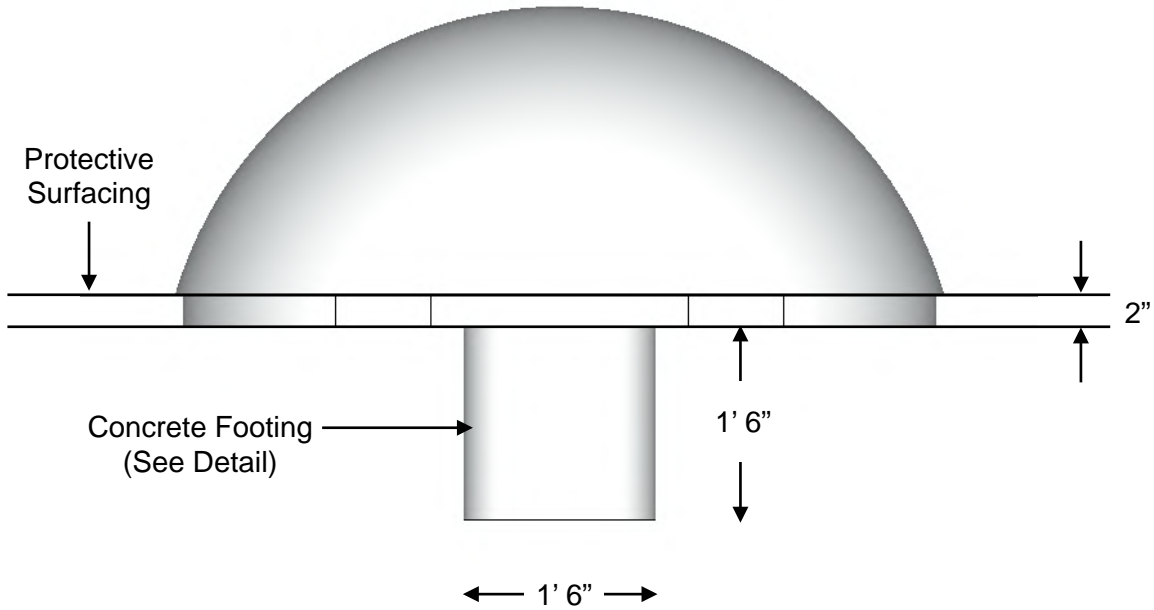
Cre8Play's unique Dome Play Mound allows for 360 degrees of climbing play. Specially designed to accommodate either Poured in Place rubber surfacing, (PIP), or Synthetic Turf. Manufactured with a coating of Glass Fiber Reinforced Concrete, (GFRC), for durability and a sturdy base for surfacing.



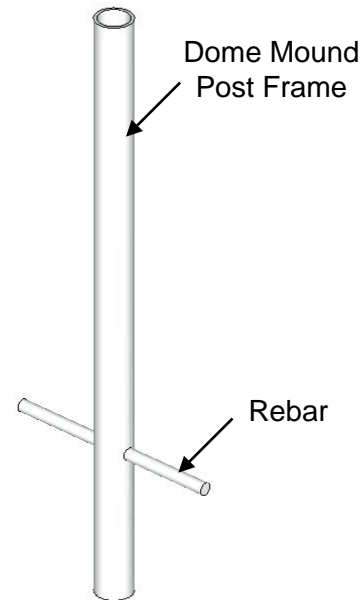
L: 4' 0"
W: 4' 0"
H: 1' 6"
145 LBS

DOES NOT INCLUDE SURFACING
MOUND ONLY
(Appx. 20 square feet of surfacing required)





Typical Component Footing Detail
Check local soil conditions.
(Not to Scale)



If you determine that less than 12" of surfacing is required, make sure the top of the concrete footing is 12" below the top of the protective surfacing.

NOTE: Read installation instructions thoroughly before starting installation process.

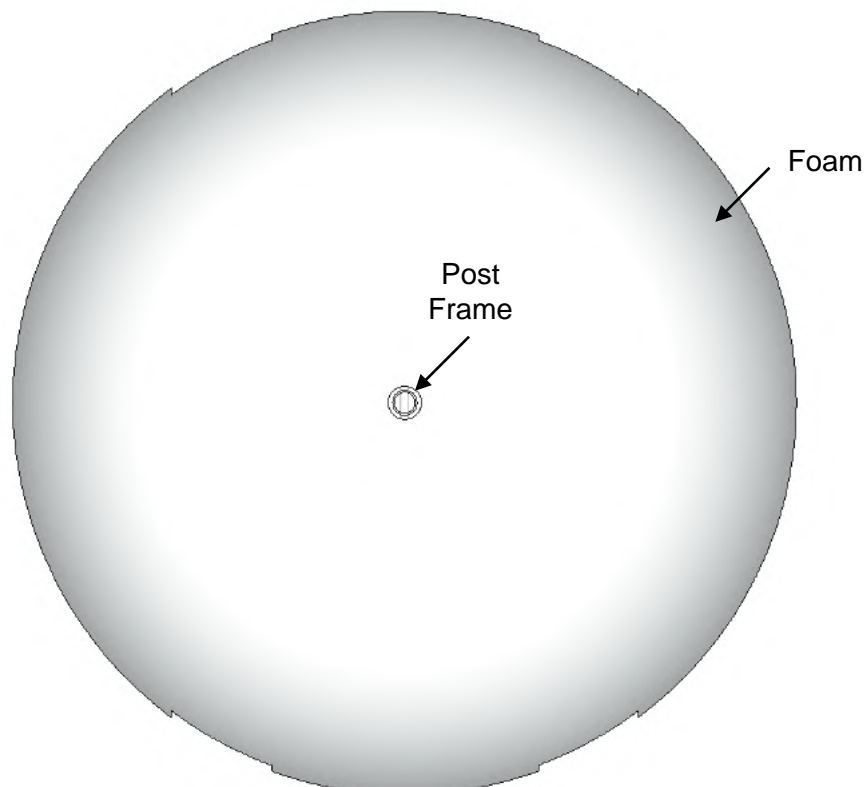
Step 1: Lay out the area and prepare the site for install. Concrete must be installed over a solid, level base. Check local soil condition and codes. See product installation instructions for minimum use zone requirements to ensure proper spacing and adequate surfacing area.

Step 2: Refer to the typical in-ground footing detail on excavating a hole for the the component.

Step 3: Slide the 2 pieces of rebar into the holes on the post frame. Place the post onto the stone or porous block at the bottom of the excavated hole. Ensure any space between the bottom of the post and top of grade will be completely covered by your particular type of surfacing. Temporarily brace the post.

Step 4: Pour a concrete footing for the post frame. Refer to the typical footing section on the typical in-ground mounted footing page. This concrete should be flush with the ground level. Allow time for the concrete to completely cure before removing temporary bracing.

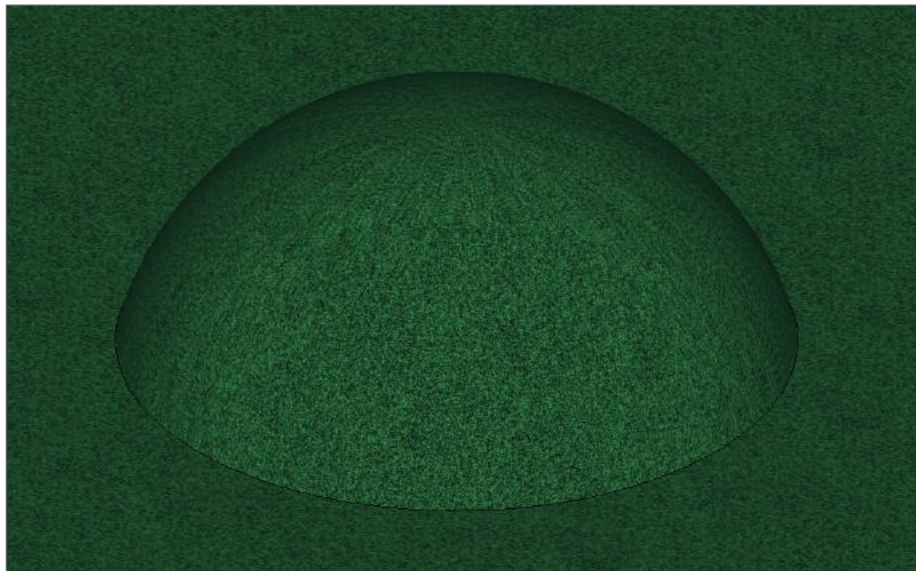
Step 5: Place the Foam over the post frame. Using the supplied adhesive (hardware kit HK146), glue the FOAM and to the concrete footer. With the dispensing gun fully open, dispense foam with a continuous bead. Fill the frame hole in the mound with the foam found and let cure. Trim the excess foam flush.



NOTE: Read installation instructions thoroughly before starting installation process.

Step 6: Fill all open fork pockets with the foam fillers provided, (glue, cut, & shape) using hardware kit HK146.

Step 7: Install the turf or PIP surfacing to the Dome Play Mound. Install the approved impact attenuating play surface around the component. Refer to the surfacing manufacturer for installation of an approved impact attenuating play surface around the component.



STEP 7.

Part #	Item	Description	Quantity
90007S	Play Mound Foam Unit	Play Equipment	1
90007S	Play Mound Post Frame	Play Equipment	1
90007S	Rebar	Ø1/2" X 9" Rebar Anchor	1
90007S	Play Mound Foam Fillers	3" x 6" x 4'-0" EPS Foam	1
HK146	5631573	Urethane Adhesive	1
HK146	FG250002	Adhesive Dispensing Gun	1